

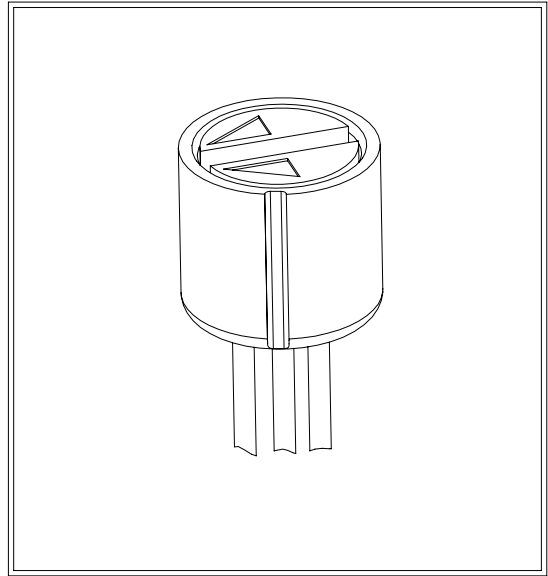


Resistance Technology, Inc.  
 1260 Red Fox Road  
 Saint Paul, MN 55112  
 FAX (651) 636-9503  
 1 (800) 966-3280  
 Phone: (651) 604-9600  
 Internet: www.RTI-Corp.com

In Europe:  
 Resistance Technology GmbH  
 Kesselschmiedstrasse 10  
 D-85354 Freising, Germany  
 Telefon: 049-8161-4804-0  
 Telefax: 049-8161-4804-18  
 Email: Service@RTGMBH.de

# PRODUCT DATA SHEET

## MINI TRIMMER MODEL 75



NOTES: 1. All dimensions are in standard inches; metric in [ ]  
 2. Unless specified dimensions are  $\pm 0.003$  [0.08], angles  $\pm 5^\circ$

### PRODUCT SPECIFICATIONS

#### MECHANICAL DATA

Operational Torque ..... 0.02 to 0.30 IN OZ  
 Stop Guide Torque ..... 1.5 IN OZ min  
 Rotational Angle  
 Mechanical .....  $240^\circ \pm 5^\circ$   
 Electrical .....  $240^\circ \pm 5^\circ$   
 Soldering  
 Temperature .....  $350^\circ\text{C}$  max  
 Dwell Time ..... 2 seconds max  
 Lead Wires ..... 0.5 Lb Direct Pull max

#### MATERIALS DATA

Potentiometer Lead Wires .. Silver  
 Wiper ..... Silver-plated beryllium copper  
 Knob ..... Thermoplastic  
 Base ..... Thermoplastic  
 Resistor Substrate ..... Epoxy Multilayer Laminate  
 Resistor Element ..... Conductive Plastic Thick Film

#### ELECTRICAL DATA

Potentiometer  
 Overall Resistance ..... Nominal Value  $\pm 20\%$   
 Wattage Rating ..... 80 Milliwatts  
 Contact Resistance ..... Less than 15% of actual overall resistance value

#### ENVIRONMENTAL DATA

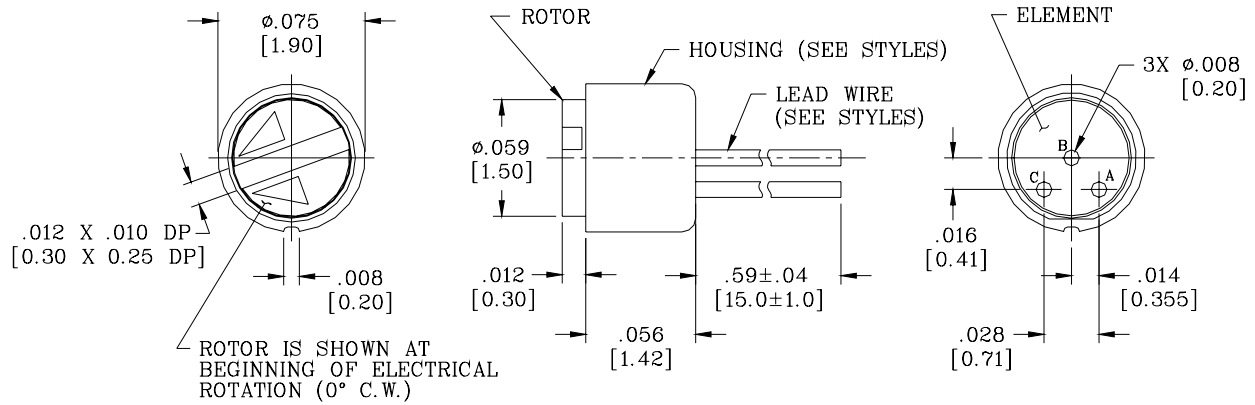
Operational Temperature Range .....  $-25^\circ\text{C}$  to  $+55^\circ\text{C}$   
 Storage Temperature Range .....  $-40^\circ\text{C}$  to  $+60^\circ\text{C}$   
 Operation Life ..... 1,000 rotational cycles at max. electrical rating

RTI reserves the right to make changes at any time to improve reliability, function, or design in order to provide the best possible product.

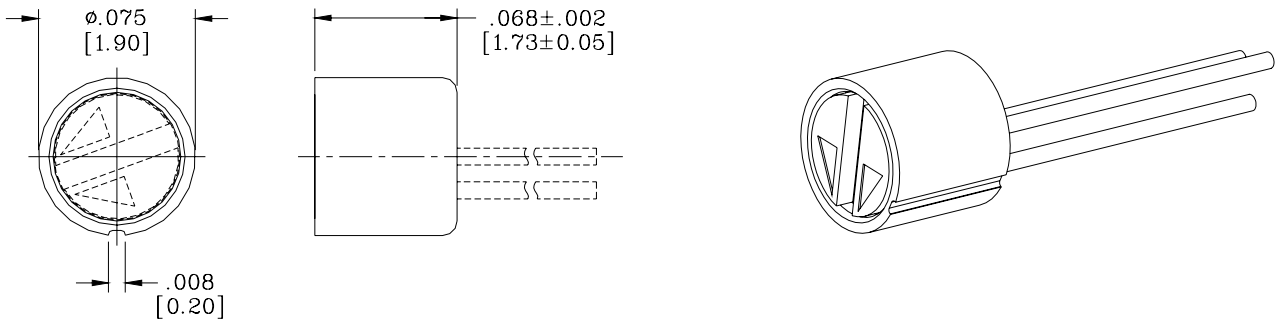


# MODEL 75 PRODUCT DATA SHEET

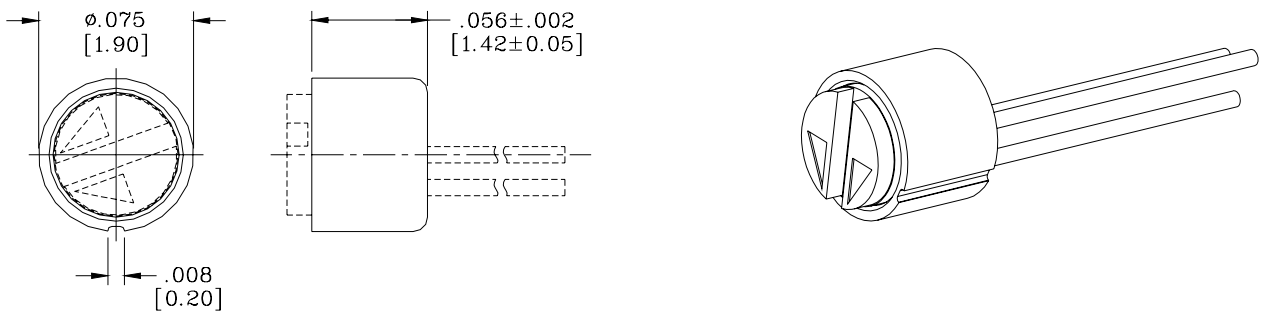
## MECHANICAL DIMENSIONS



## HOUSINGS



## STYLE A



## STYLE B

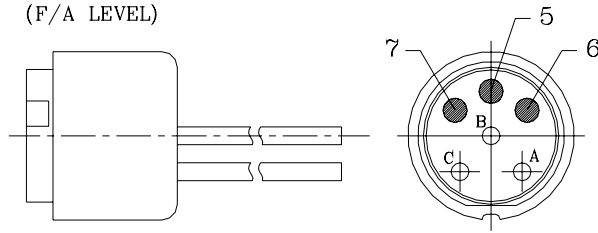


# MODEL 75 PRODUCT DATA SHEET

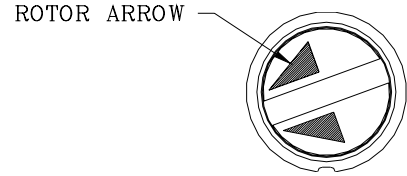
## COLOR CODE LOCATIONS

### INK OPTIONS:

- 00 YELLOW
- 03 TAN
- 04 LT BLUE
- 05 ORANGE
- 06 BROWN
- 07 DK GREEN
- 08 WHITE
- 09 PINK
- 10 DK BLUE
- 11 LT GRAY
- 16 RED
- 17 PURPLE
- 18 BLUE
- 19 GREEN
- 20 GOLD
- 21 COPPER
- 22 SILVER
- 23 DK GRAY
- 24 LT GREEN

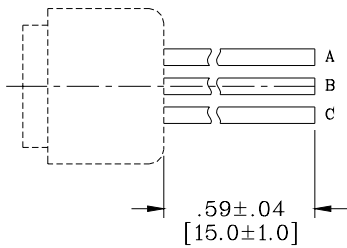


**ELEMENT**

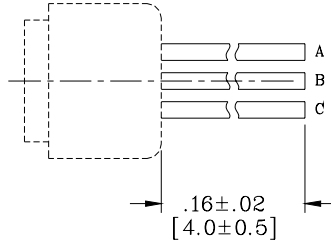


**ROTOR**

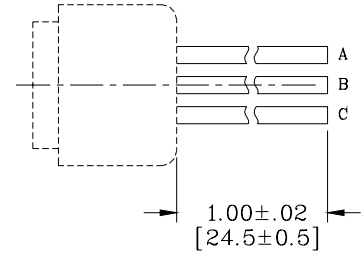
## LEAD WIRE LENGTH



**STYLE A**



**STYLE B**



**STYLE C (UNTRIMMED)**

## LEAD WIRE OPTIONS

- Option A - 3 Leads, non-insulated (A, B, C)
- Option B - 2 Leads, non-insulated (A, B)
- Option C - 2 Leads, non-insulated (B, C)

## LEAD WIRE DESIGNATIONS

