

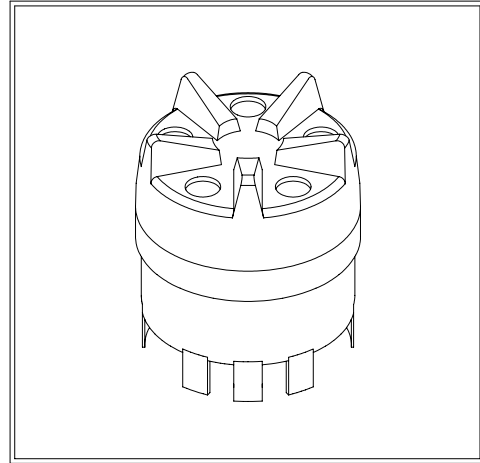


Resistance Technology, Inc.
 1260 Red Fox Road
 Saint Paul, MN 55112
 FAX (651) 636-9503
 1 (800) 966-3280
 Phone: (651) 604-9600
 Internet: www.RTI-Corp.com

In Europe:
 Resistance Technology GmbH
 Kesselschmiedstrasse 10
 D-85354 Freising, Germany
 Telefon: 049-8161-4804-0
 Telefax: 049-8161-4804-18
 Email: Service@RTGMBH.de

PRODUCT DATA SHEET

VOLUME CONTROL MODEL 35



NOTES: 1. All dimensions are in standard inches; metric in []
 2. Unless specified dimensions are ± 0.003 [0.08], angles $\pm 5^\circ$

PRODUCT SPECIFICATIONS

MECHANICAL DATA

Operational Torque	0.02 to 0.20 IN OZ (1-13 CnCM)
Stop Guide Torque	4.0 IN OZ min (300 CnCM)
Rotational Angle	
Mechanical	230° $\pm 5^\circ$
Electrical	230° $\pm 5^\circ$
Soldering	
Temperature	280° - 350°C max
Dwell Time	2 sec max (on/off switch must be in FULL ON position)

MATERIALS DATA

Potentiometer Terminals ..	Plated copper, gold over nickel
Switch Terminals	Plated copper, gold over nickel
Wiper	Silver-plated copper
Knob	Thermoplastic
Base	Thermoplastic
Resistor Substrate	Epoxy Multilayer Laminate
Resistor Element	Conductive Plastic Thick Film

ELECTRICAL DATA

Potentiometer	
Overall Resistance	Nominal Value $\pm 20\%$
Wattage Rating	80 Milliwatts
Contact Resistance	Less than 10% of actual overall resistance value
Switch	
Switch Resistance	250 milliohms max; 25 milliohms typ
Contact Bounce and Noise	Less than 3.5 milliseconds max
Voltage Rating	6.0 Volts DC max
Current Rating	500 milliamperes max
Closure Angle	22° nominal

Detent causes tactile sensation at closure, opening

ENVIRONMENTAL DATA

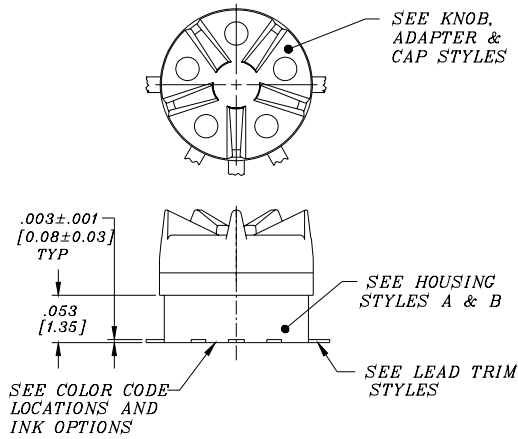
Operational Temperature Range	-25°C to + 55°C
Storage Temperature Range	-40°C to + 60°C
Operation Life	15,000 rotational cycles at max. electrical rating

RTI reserves the right to make changes at any time to improve reliability, function, or design in order to provide the best possible product.

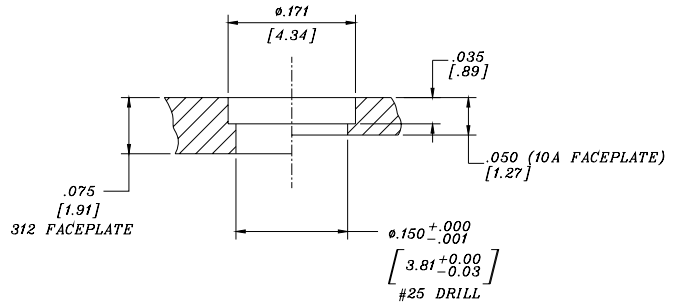


MODEL 35 PRODUCT DATA SHEET

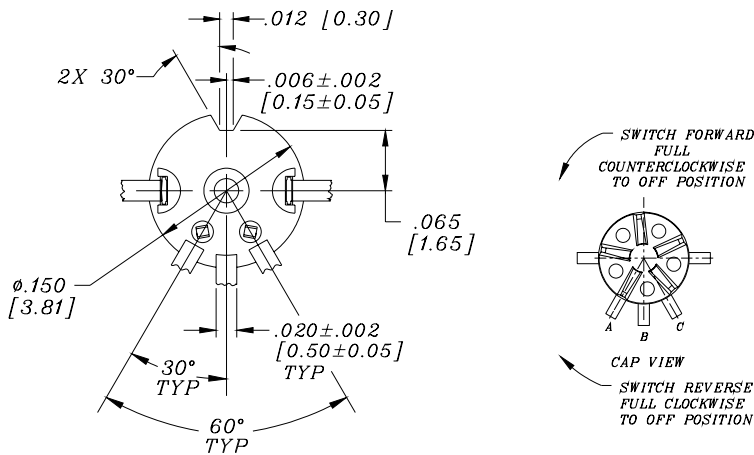
MODEL 35 SF, SR AND SX OPTIONS (with built-in switch)



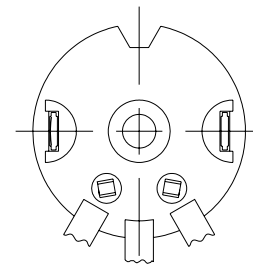
MODEL 35 (proposed Faceplate Mounting)



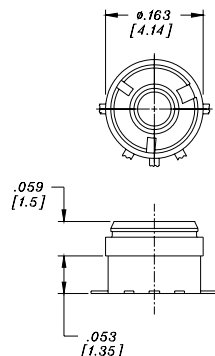
MODEL 35 HOUSING - STYLE A (Switch Forward or Reverse Controls)



MODEL 35 HOUSING - STYLE B (SX Control – no switch)



MODEL 35 ADAPTER – STYLE A (SF, SR, SX OPTIONS) (Snap-On Type)





MODEL 35 PRODUCT DATA SHEET

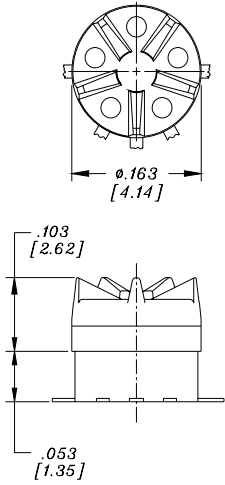
LEAD TRIM OPTIONS STYLE A	2 nd FORM OPTIONS STYLE 1

COLOR CODE LOCATIONS							
<p>INK OPTIONS:</p> <ul style="list-style-type: none"> 00 YELLOW 01 LAWN GREEN 02 CHERRY RED 03 TAN 05 ORANGE 06 DK BROWN 07 DK GREEN 08 WHITE 09 PINK 10 DK BLUE 11 GRAY 12 BLACK 13 LT BLUE 14 YEL/GRN 15 VIOLET 17150-18 BLUE 	<table border="1"> <tr> <td data-bbox="297 882 906 1329"> <p>SX & SF – CCW ROTATION (shown full-off)</p> </td> <td data-bbox="906 882 1547 1329"> <p>SR – CW ROTATION (shown full-off)</p> </td> </tr> <tr> <th colspan="2" data-bbox="297 1329 1547 1381">CAP - STYLE A</th> </tr> <tr> <td data-bbox="297 1381 906 1791"> <p>CAP - STYLE B</p> </td> <td data-bbox="906 1381 1547 1791"> <p>HOUSING</p> </td> </tr> </table>	<p>SX & SF – CCW ROTATION (shown full-off)</p>	<p>SR – CW ROTATION (shown full-off)</p>	CAP - STYLE A		<p>CAP - STYLE B</p>	<p>HOUSING</p>
<p>SX & SF – CCW ROTATION (shown full-off)</p>	<p>SR – CW ROTATION (shown full-off)</p>						
CAP - STYLE A							
<p>CAP - STYLE B</p>	<p>HOUSING</p>						

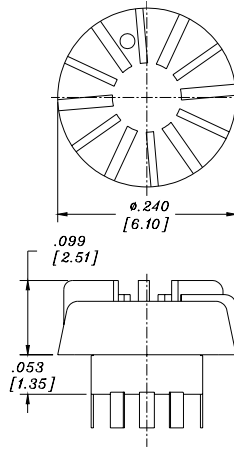


MODEL 35 PRODUCT DATA SHEET

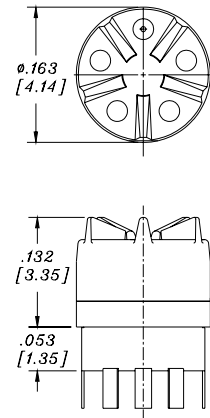
CAPS



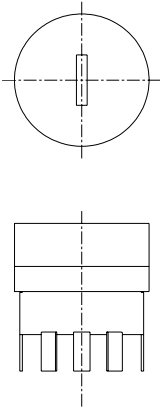
STYLE A



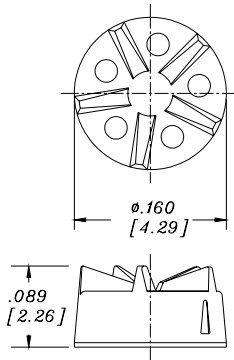
STYLE B



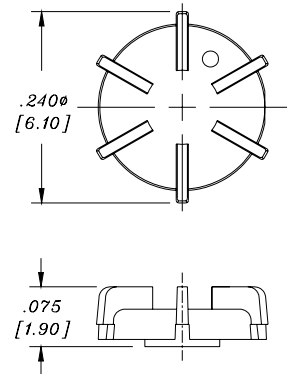
STYLE C



STYLE D (proposed)



STYLE M (STACK CAP)



STYLE X (proposed)