

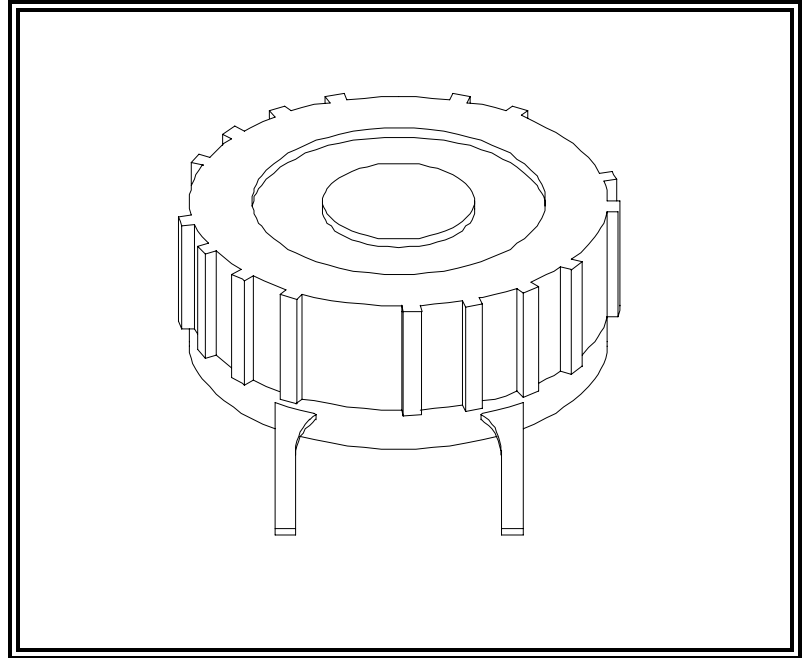


Resistance Technology, Inc.
 1260 Red Fox Road
 Saint Paul, MN 55112
 FAX (651) 636-9503
 1 (800) 966-3280
 Phone: (651) 604-9600
 Internet: www.RTI-Corp.com

In Europe:
 Resistance Technology GmbH
 Kesselschmiedstrasse 10
 D-85354 Freising, Germany
 Telefon: 049-8161-4804-0
 Telefax: 049-8161-4804-18
 RTGMBH@Compuserve.com

PRODUCT DATA SHEET

POTENTIOMETER MODEL 26



NOTES: 1. All dimensions are in standard inches; metric in []
 2. Unless specified dimensions are ± 0.003 [0.08], angles $\pm 5^\circ$

PRODUCT SPECIFICATIONS

MECHANICAL DATA

Operational Torque 0.05 to 0.20 IN OZ
 Stop Guide Torque 4.0 IN OZ miN

Rotational Angle
 Mechanical 250° nominal
 Electrical 250° nominal
 Soldering Temperature
 290° C to 350° C

.....
 Dwell Time 2 sec max
 3.0 IN OZ max

Center Stud Nut Torque

MATERIALS DATA

Center Stud Gold-Plated Brass
 End Leads Gold-Plated Beryllium Copper
 Wiper Silver-Plated Beryllium Copper
 Knob Thermoplastic
 Base Thermoplastic
 Resistor Substrate Epoxy Multilayer Laminate
 Resistor Element Conductive Plastic Thick Film

ELECTRICAL DATA

Potentiometer
 Overall Resistance Nominal Value $\pm 20\%$
 Wattage Rating 80 Milliwatts
 Contact Resistance Less than 10% of actual overall Resistance Value

ENVIRONMENTAL DATA

Operational Temperature
 Range -25°C to + 55°C
 Storage Temperature
 Range -40°C to + 60°C

Overall resistance will remain within 10% of the initial value and all other Electrical and Mechanical Parameters remain within spec after:

Thermal Shock per IEC Publication 68-2-14 Test Na: "Rapid Change

of Temperature with Prescribed Time of Transition". -25°C to + 55°C

48 Hours Exposure to QE008 "Perspiration" at 40°C

IEC Publication 68-2-3 Test Ca: "Damp Heat Steady State:"

IEC Publication 68-2-30 Test Db: "Damp Heat Cyclic"

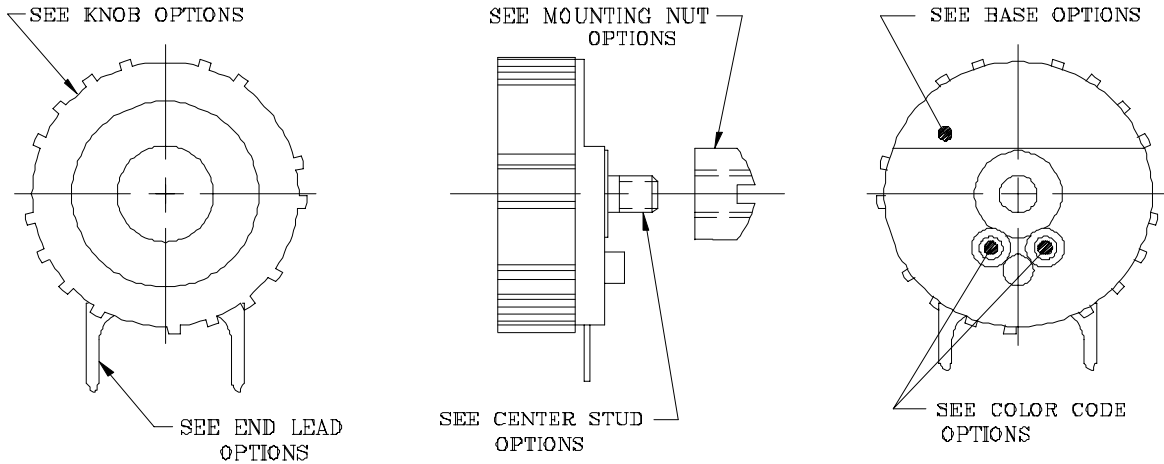
Operational Life 25,000 Rotational Cycles at max Electrical Rating

RTI reserves the right to make changes at any time to improve reliability, function, or design in order to provide the best possible product.

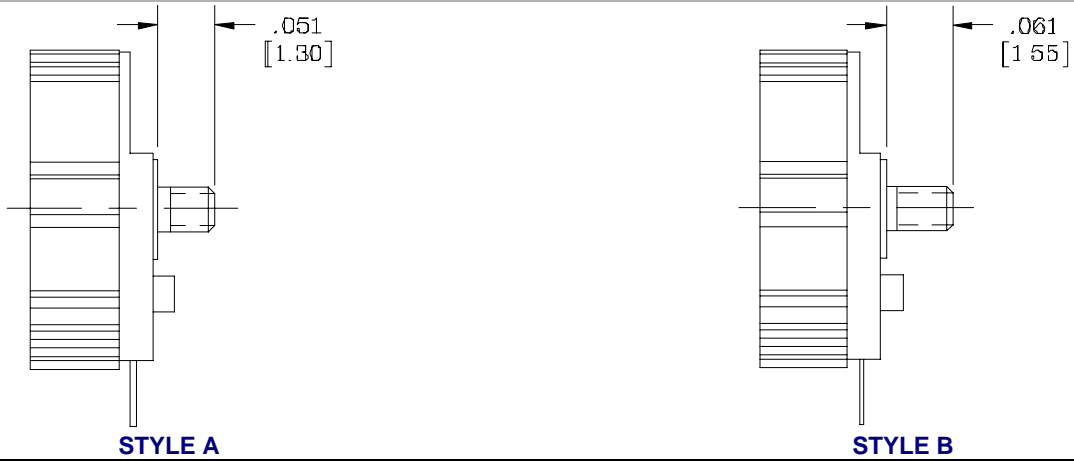


MODEL 26 PRODUCT DATA SHEET

M26 POTENTIOMETER



CENTER STUDS



END LEADS

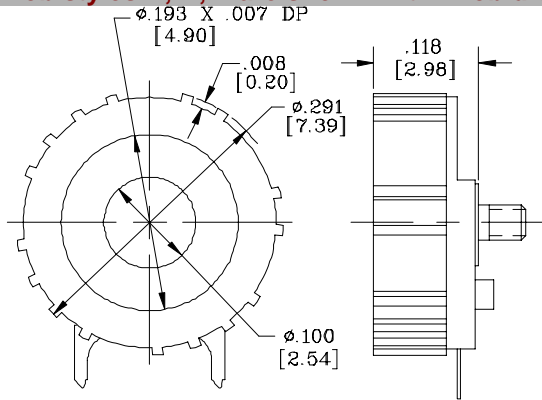




MODEL 26 PRODUCT DATA SHEET

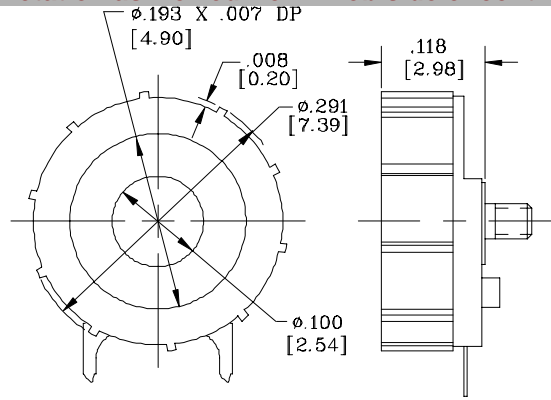
KNOBS

(Knob styles A, B, E are shown with knob drawn in full ccw rotation as viewed from knob side of control)



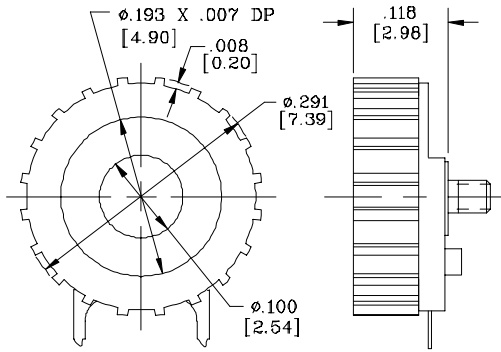
STYLE A

(See Printed Knob Patterns available for this style)

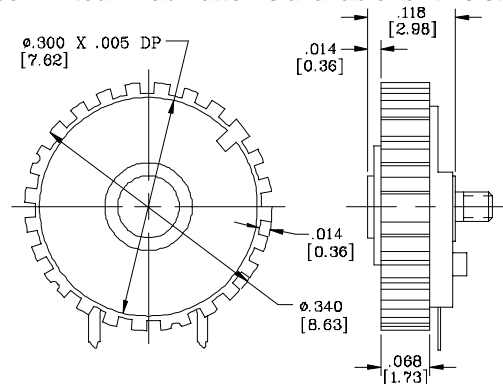


STYLE B

(See Printed Knob Patterns available for this style)

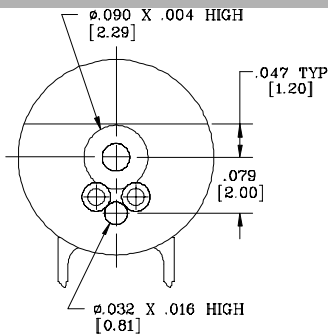


STYLE C

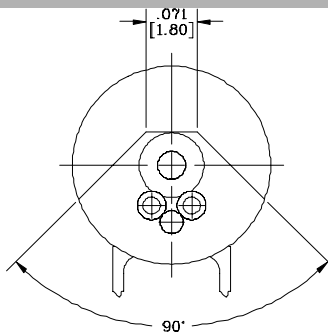


STYLE E

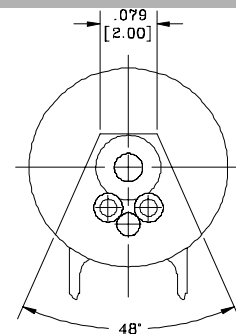
BASES



STYLE A



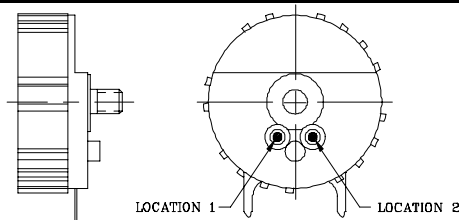
STYLE B



STYLE C

COLOR CODE LOCATIONS

INK OPTIONS: 00 WHITE 02 RED 03 YELLOW 04 GREEN



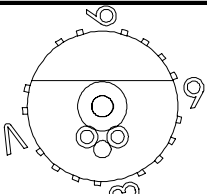


MODEL 26 PRODUCT DATA SHEET

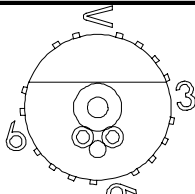
PRINTED KNOB PATTERNS

(Knobs are drawn in full cw rotation as viewed from base side of control)

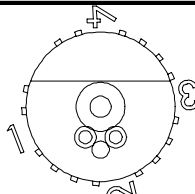
STYLE A



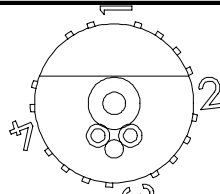
PATTERN 26



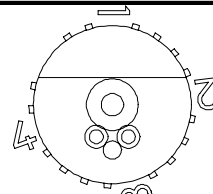
PATTERN 27



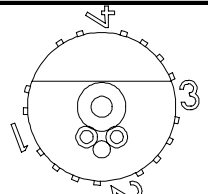
PATTERN 28



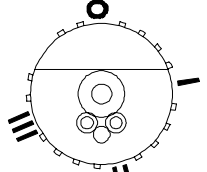
PATTERN 29



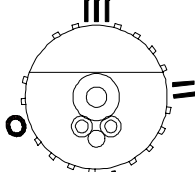
PATTERN 30



PATTERN 31

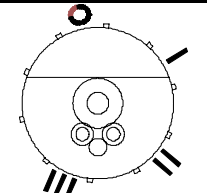


PATTERN 38

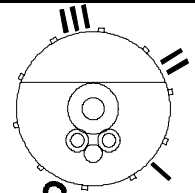


PATTERN 39

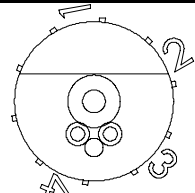
STYLE B



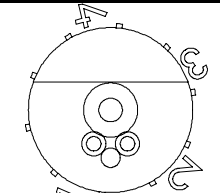
PATTERN 32



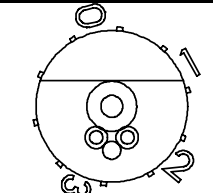
PATTERN 33



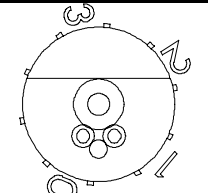
PATTERN 34



PATTERN 35

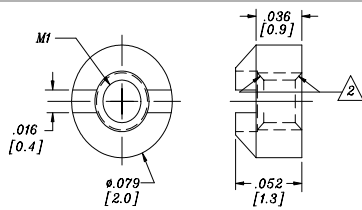


PATTERN 36

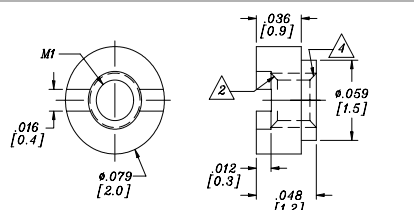


PATTERN 37

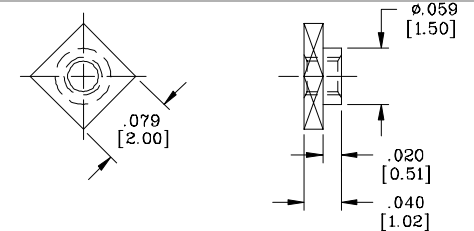
MOUNTING NUTS



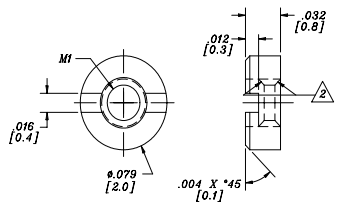
STYLE A



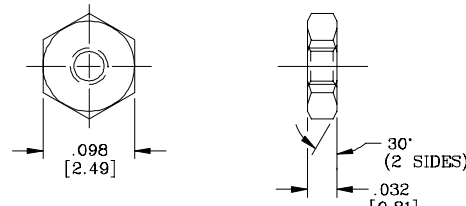
STYLE B



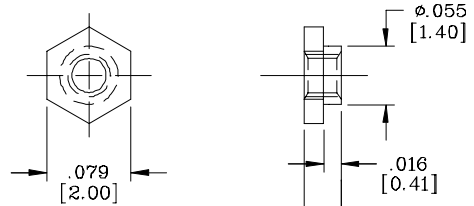
STYLE C



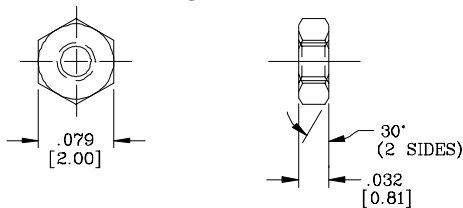
STYLE D



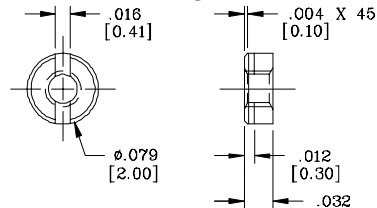
STYLE E



STYLE F



STYLE H



STYLE K