



Microsafe

- The first changeable microphone filter-system of the world!
- Protects the microphone from Cerumen!
- Serves durably the acoustic characteristics of the device!
- Decreases noise! (e.g. wind, ...)

Changing the Microsafe microphone filter

1. Removing the Filter:

Screw the threaded end of the changing tool into the Microsafe filter on the microphone. (Fig. 1)

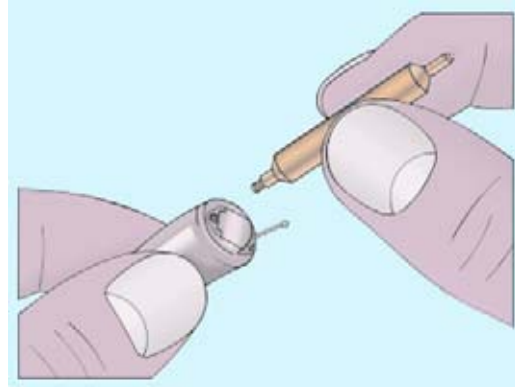


Fig. 1

Screw in just about 1mm until you can feel resistance. (Fig. 2)

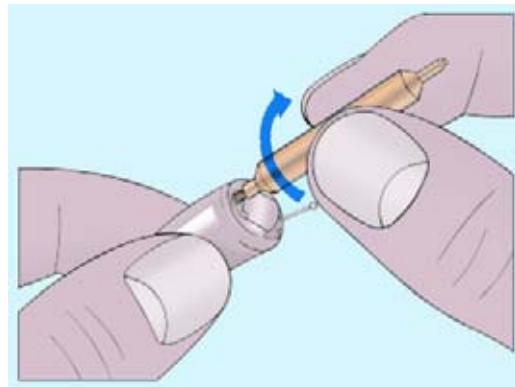


Fig. 2

You can now draw out the filter vertically. (Fig. 3)

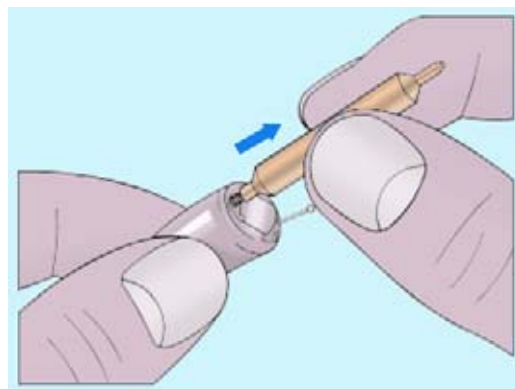


Fig. 3

2. Installing the new filter:

Use the flat side of the changing tool to hold the new filter.
Take care that the filter is sitting
with the open side facing
upwards (Fig. 4)

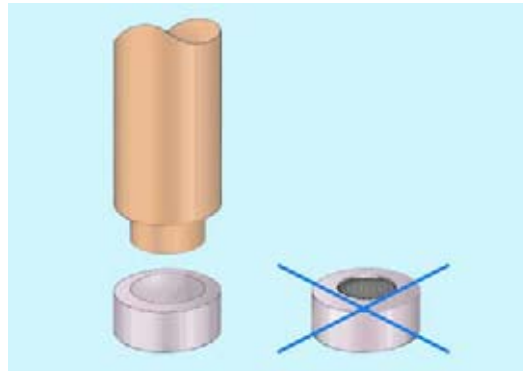


Fig. 4

Press the filter carefully into the
sleeve with the changing tool.
(Fig. 5)

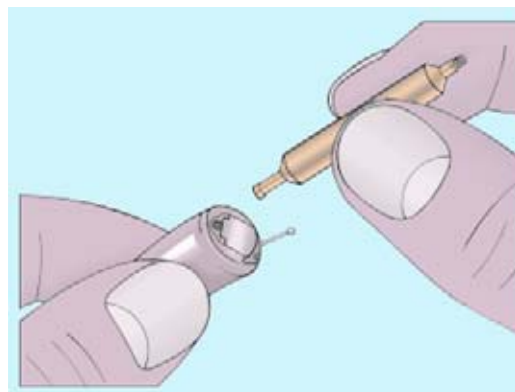


Fig. 5

Tilt sideways to release the pin
from the filter. (Fig. 6)

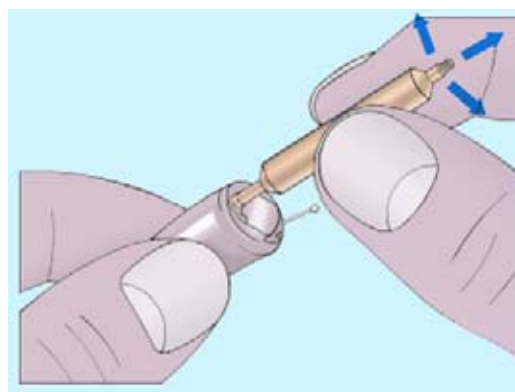


Fig. 6